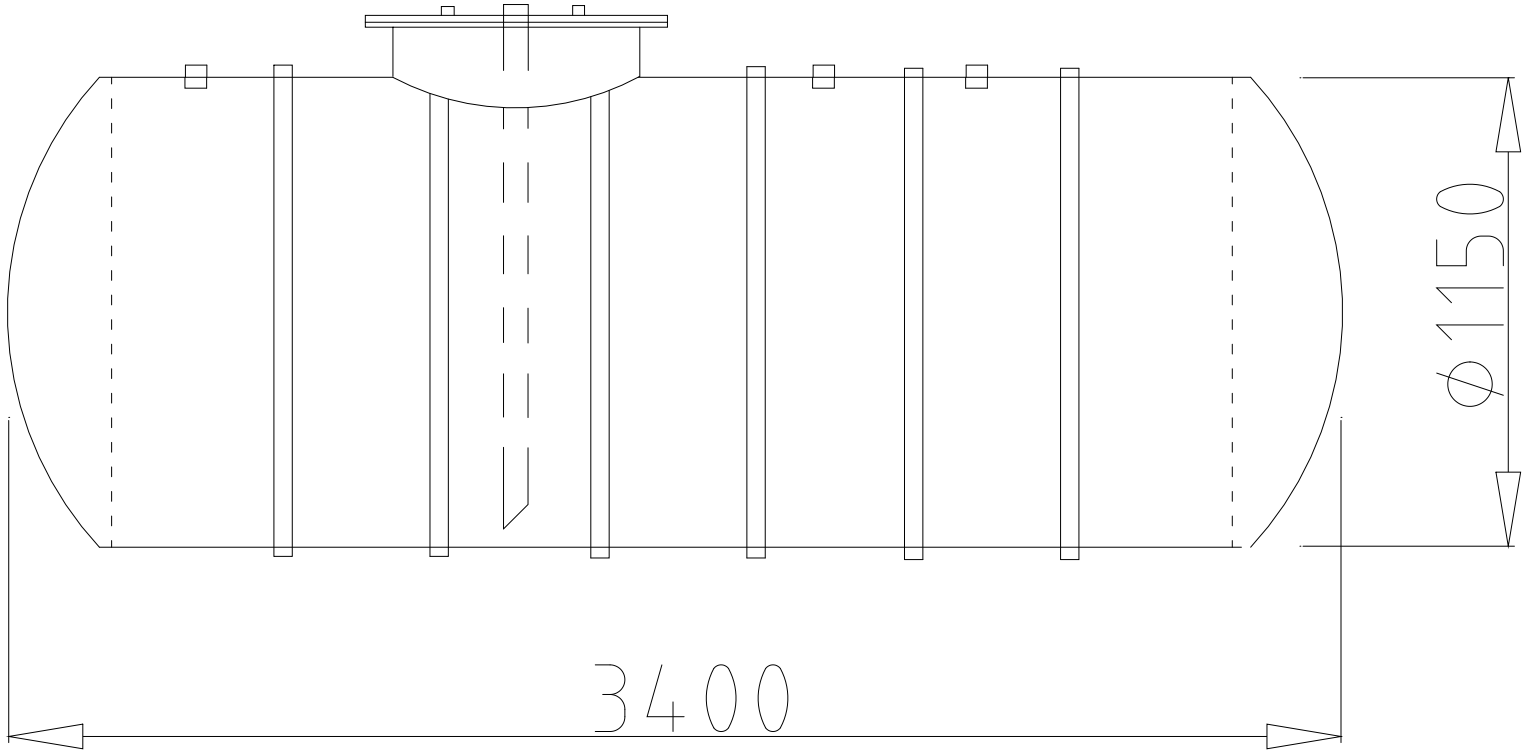


R 2"

R 1" R 3" R 1"

R 2" R 2"



$\phi 1150$

3400

